

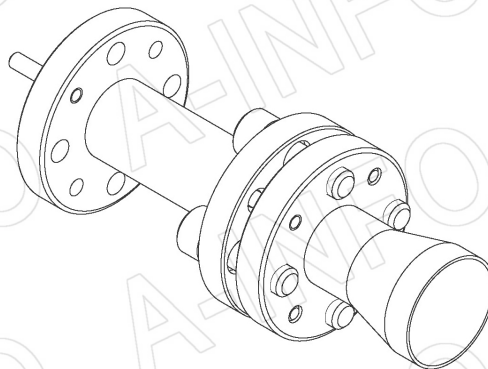
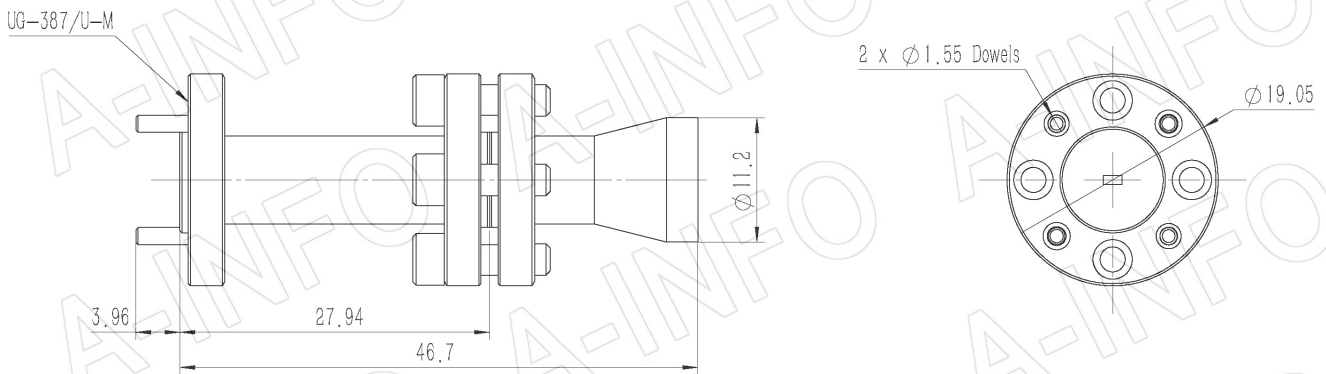
For reference only. See data sheet for the detailed specifications.

Technical Specification

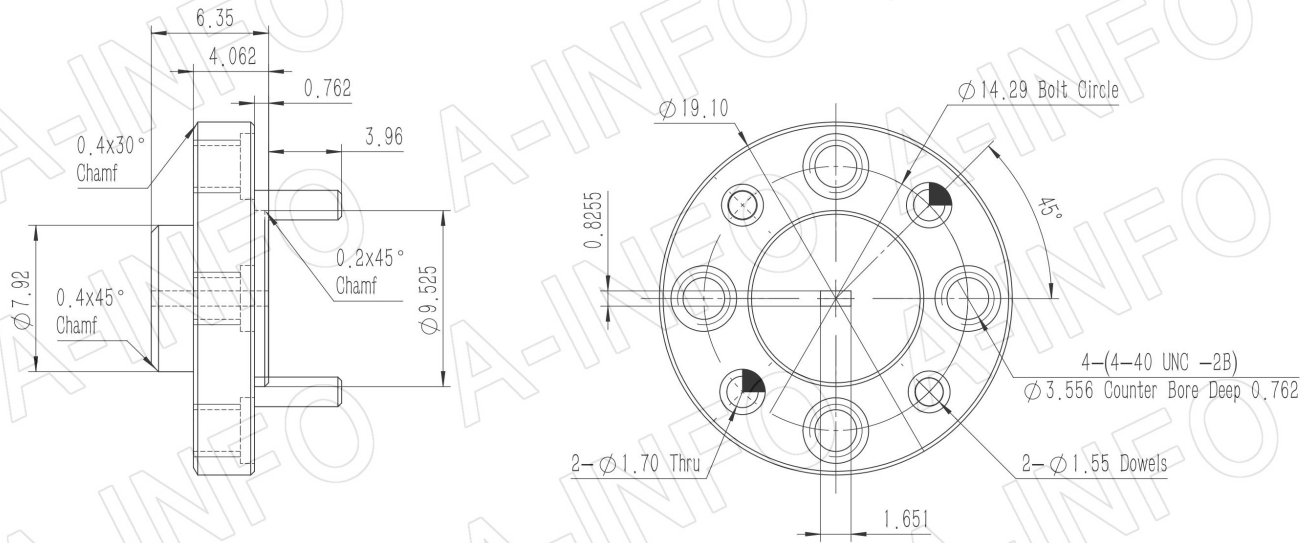


Frequency Range(GHz)	110.0 – 170.0
Waveguide	WR6
Gain(dBi)	20 Typ.
Polarization	Linear
3dB Beamwidth(deg)	E Plane: 14 Typ.
	H Plane: 16 Typ.
Cross Pol. Isolation(dB)	35 Typ.
VSWR	1.25:1 Max.
Output	UG-387/U-M
Material	Cu
Finish	Gold Plated
Size(mm)	19.05 x 19.05 x 46.7
Net Weight(Kg)	0.04 Around

Outline Drawing (Size: mm)



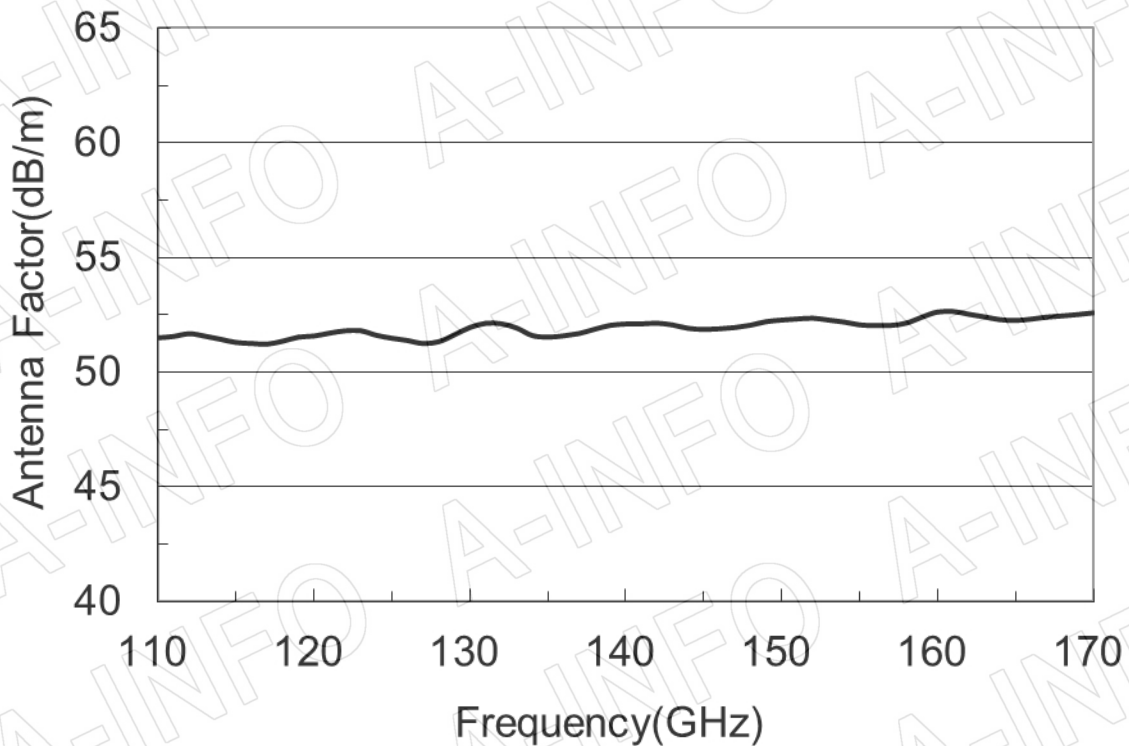
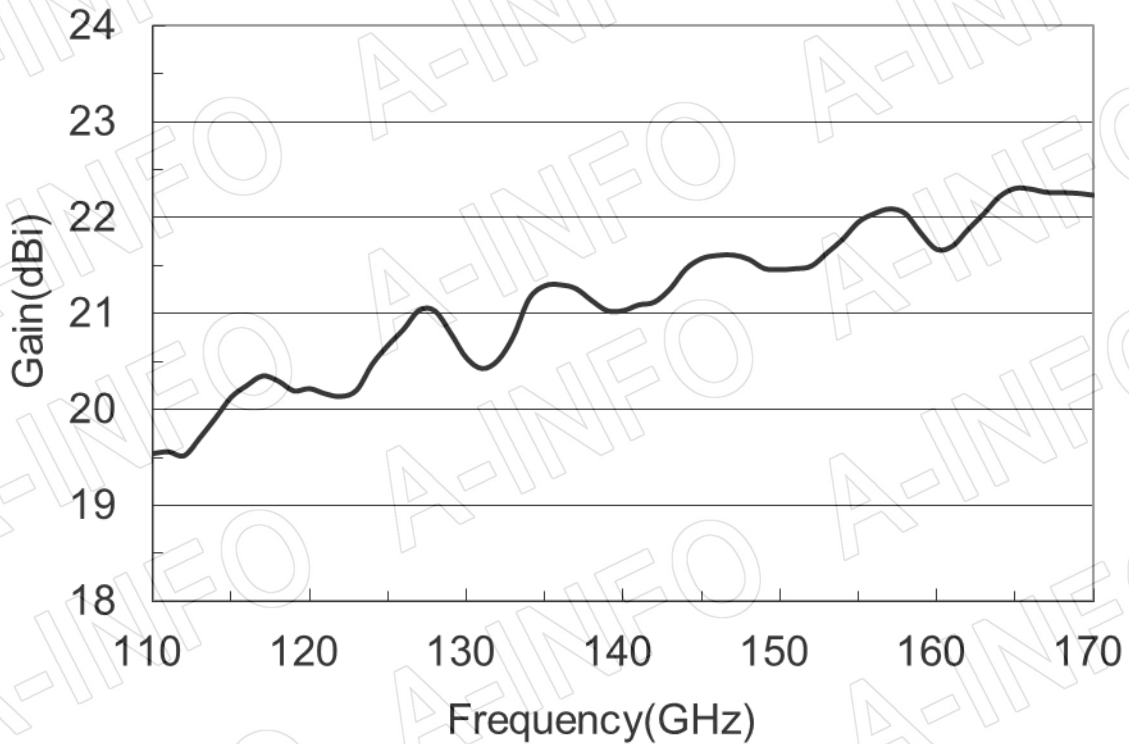
Flange Drawing (Size: mm)



UG-387/U-M

Test Results

1. Gain & Antenna Factor



2. Pattern

